

Technical Support:

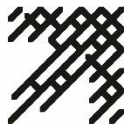
Email: customerservice@flashtechology.com

Toll Free: 1.800.821.5825

Fax: 1.615.261.2600

Web: flashtechology.com

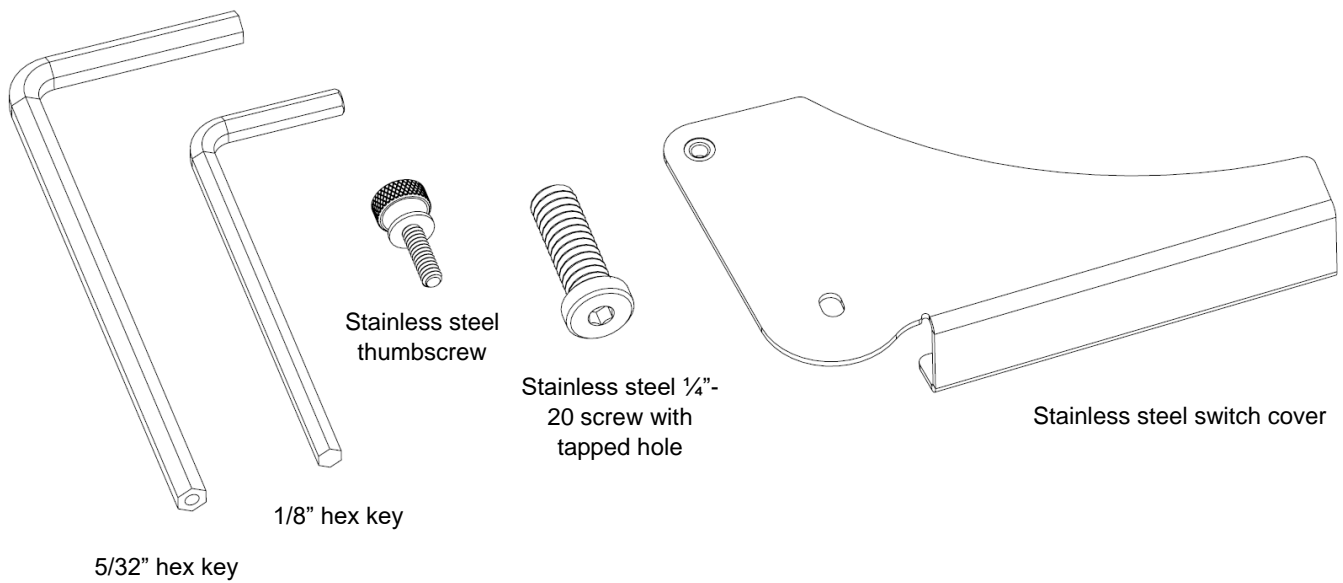
85626_A704-Switch-Cover-Install-Guide_RevB



Introduction

The A704 Switch Cover Kit can be used to prevent animals from interfering with or damaging the A704 pushbutton switch. The kit includes all tools necessary to install it. Once installed, the switch cover can be removed without tools to access the pushbutton switch when required.

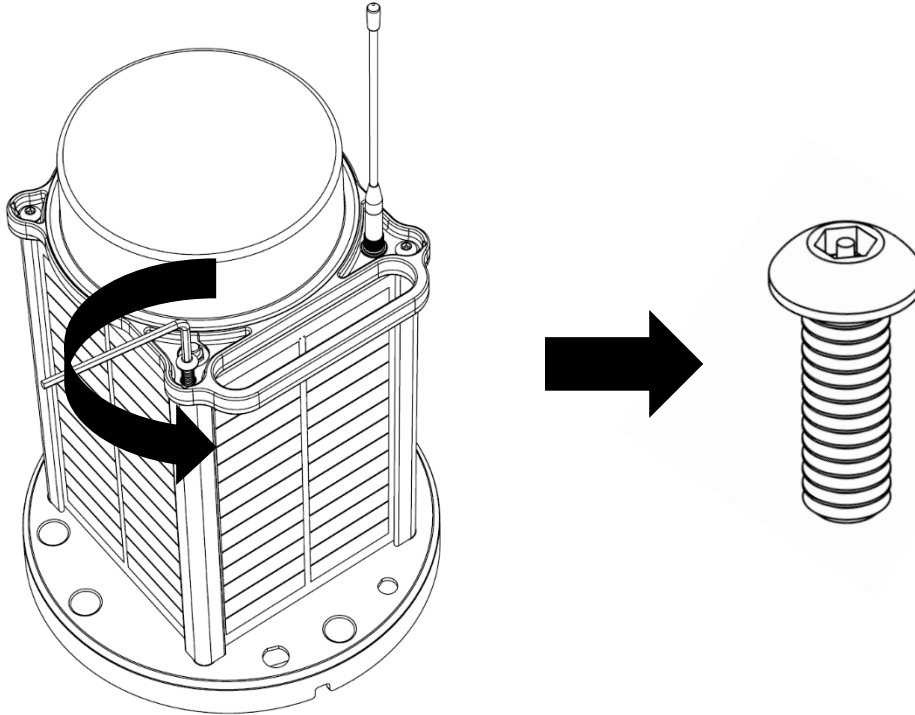
Components



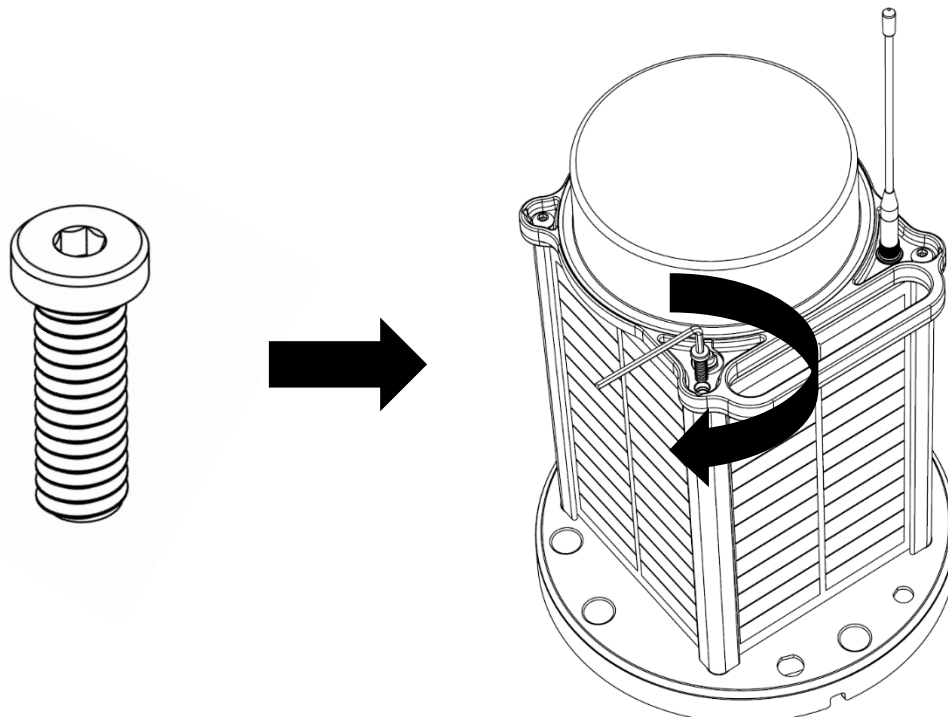


Instructions

1. Remove 1/4"-20 security screw shown using provided 5/32" hex key. Recycle or save screw as spare.

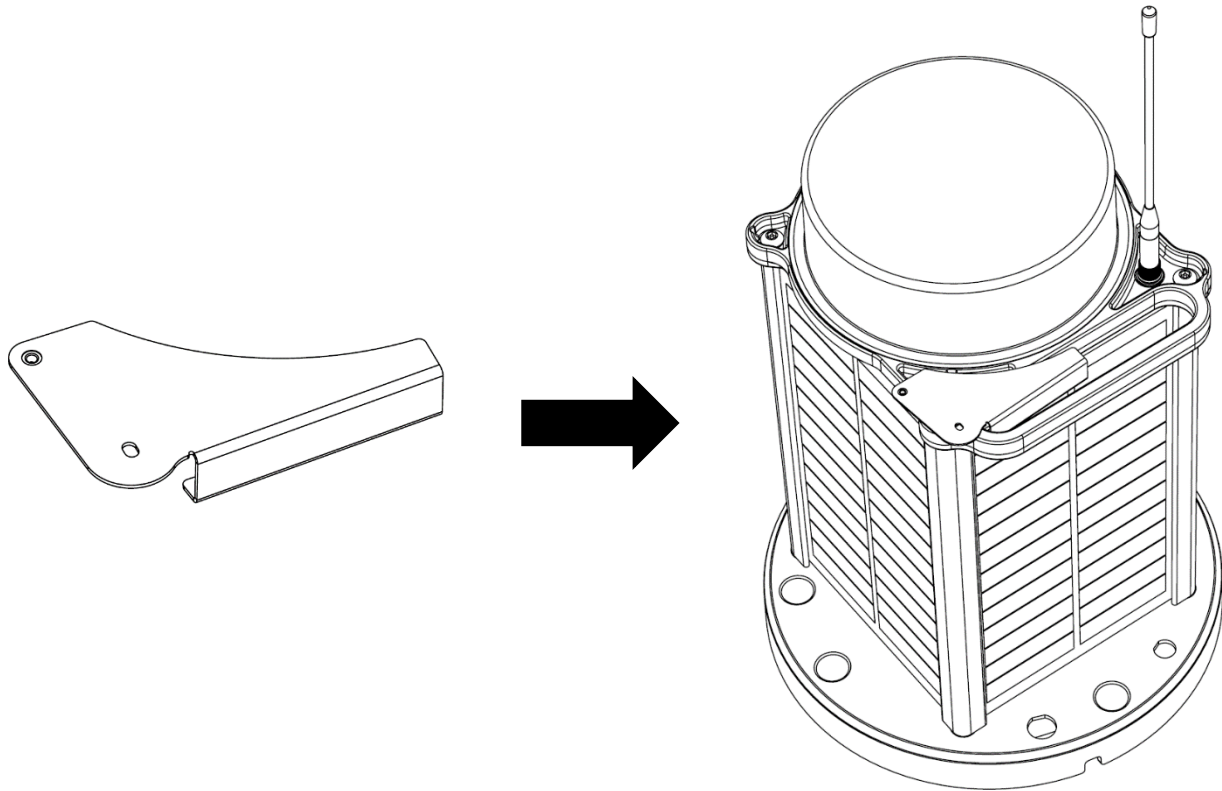


2. Install 1/4"-20 screw with tapped hole using provided 1/8" hex key. Tighten firmly.

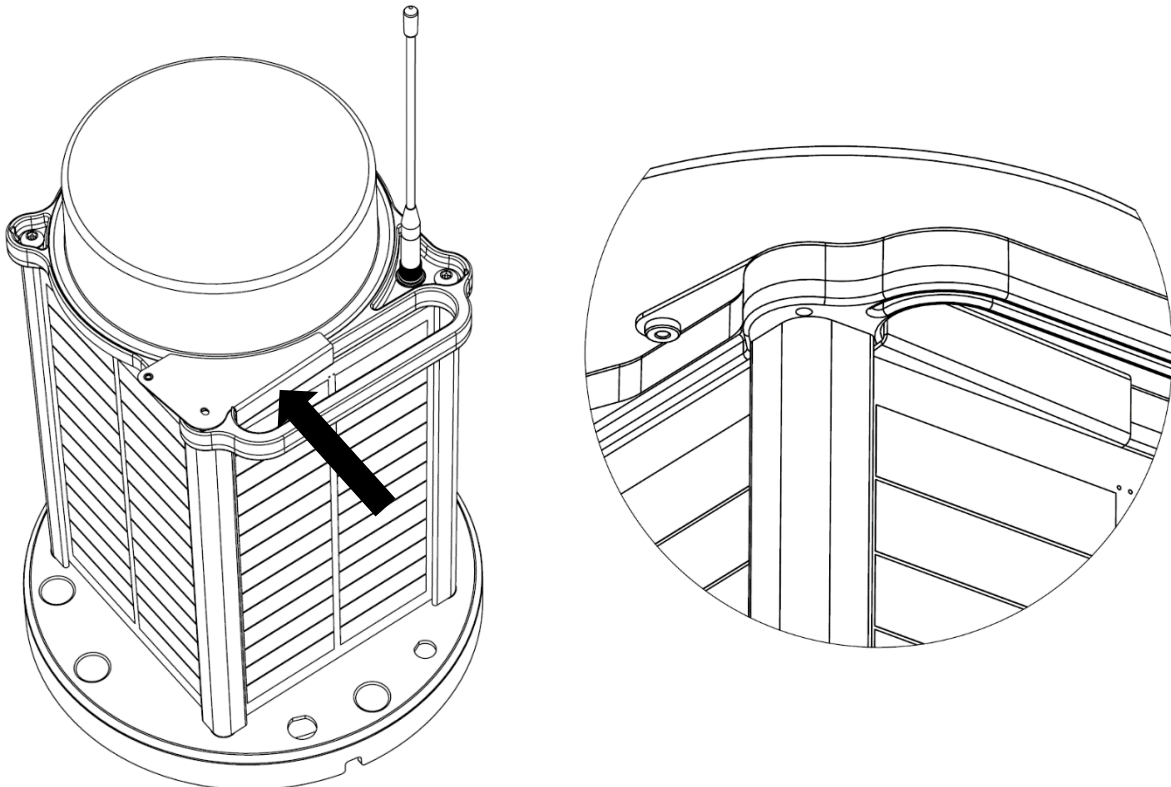




3. Place switch cover on A704 as shown.

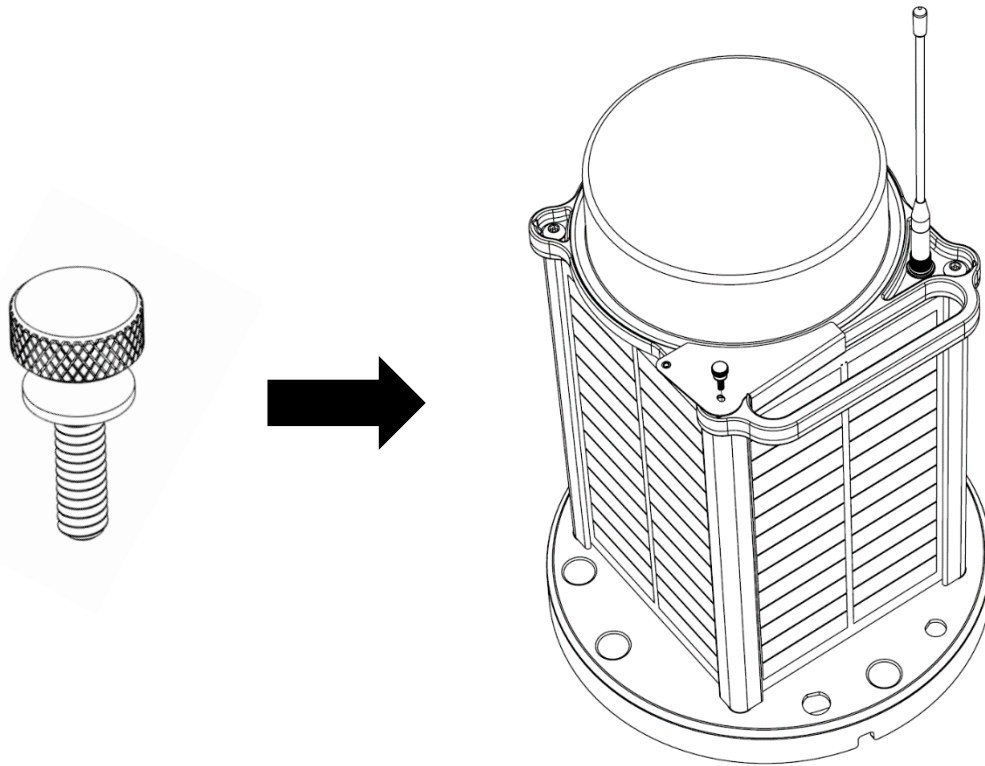


4. Push cover into place so bottom flange slides under A704 top plate as shown.





5. Align slot in cover with tapped hole in screw. Install and tighten thumbscrew.



6. When removing the switch cover to access the pushbutton, thread the thumbscrew into the nut insert on the cover to avoid losing it.

