

# Solar Airfield Light Accessories

## A704 Series Accessories

### MOUNTING

REFERENCE	PN	DESCRIPTION
1	82612	Frangible floor flange
2	76520	Anchor bolt kit
3	76516	Standard bolt kit, 700 series (2x stainless steel bolts)
4	81802	16 x 16" rubber mat
5	65714	Standard mounting plate
6	65711	Frangible coupling, 1.5" pipe x 2 thread
7	38925	2" hub stake - 15" long
-	65717	Extended mounting plate

### BATTERY/CHARGER

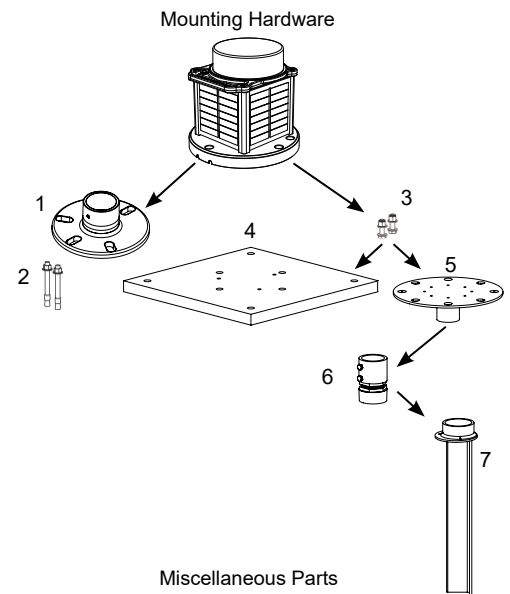
REFERENCE	PN	DESCRIPTION
-	72890	Battery kit, A704 compact
-	72891	Battery kit, A704 standard
-	72892	Battery kit, A704 large
-	74314	Battery charger, A704 with military charge port, 100-240 VAC, 50/60 Hz
-	69885	Battery charger, A704 battery pack and barrel charge port, 100-240 VAC, 50/60 Hz

### OPTICS

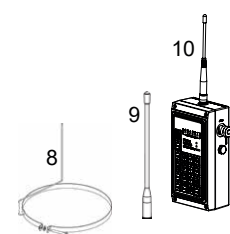
REFERENCE	PN	DESCRIPTION
-	74690	Optical shield, 180 degree, several models
-	Inquire	Head kit, several models

### MISCELLANEOUS PARTS

REFERENCE	PN	DESCRIPTION
8	40865	A704 series bird deterrent
9	56150	Replacement antenna
10	-	Handheld Controller (see page 2 for additional wireless control options)
-	48984	Installation tool kit with 5/32" security bit for head/battery changes and small socket set



Miscellaneous Parts



# Solar Airfield Light Accessories

## A650 Series Accessories

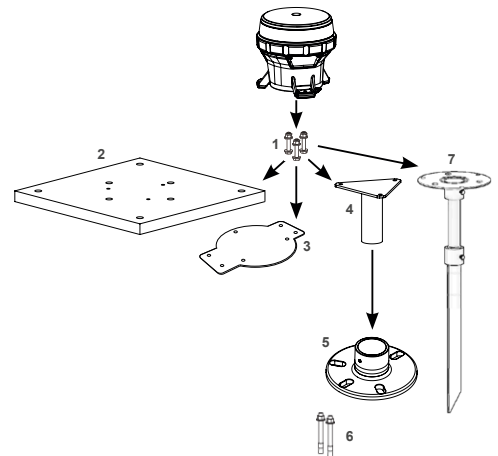
MOUNTING HARDWARE		
REFERENCE	PN	DESCRIPTION
1	84175	Standard bolt kit, A650 series (3x stainless steel bolts)
2	81802	Rubber mat
3	61869	Fence mounting kit with hardware
4	66699	Standard mounting plate
5	82612	Frangible floor flange
6	76520	Anchor bolt kit
7	61870	Stake mounting kit, soft ground
-	38925	2" hub stake - 15" long
-	69752	Extended mounting plate

BATTERY/CHARGER		
REFERENCE	PN	DESCRIPTION
-	72835	Battery kit, A650 series
-	59188	Charger: A650, 100-240 VAC 50/60 Hz

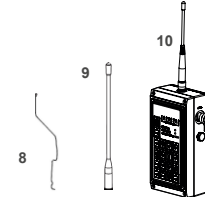
MISCELLANEOUS PARTS		
REFERENCE	PN	DESCRIPTION
8	57003	Bird deterrent, A650 series
9	56150	Replacement antenna
10	-	Handheld Controller (see below for additional wireless options)
-	57392	Bottom cover replacement kit (with switch)
-	57393	Bottom cover replacement kit (without switch)
-	59198	Bottom cover access tool
-	48984	Installation tool kit with 5/32" security bit for head/battery changes and small socket set



Mounting Hardware



Miscellaneous Parts



## Additional Accessories

Additional accessories are available. If you require a part that is not included on this accessories sheet including ERGL, Wind Cone or Guidance Sign mounting accessories or replacement parts, please contact [flashsales@spx.com](mailto:flashsales@spx.com).

AIRFIELD WIRELESS CONTROL SYSTEMS	
PN	DESCRIPTION
83227	Handheld Controller, 900 MHz
90506	Handheld Controller, 2.4 GHz
82795	Handheld Controller battery kit, manufactured 2017 and later
90937	Handheld Controller battery and firmware upgrade kit, 2005-2017 models <i>(Requires shipping HHC to Flash for FW update)</i>
48176	Handheld Controller, hard shell carry case
69899	Infrared Programmer: A650
70373	L-854 ARCAL integration kit for handheld controller
Inquire	L-854 ARCAL radio control, multiple options
Inquire	Rugged laptop and monitoring software

**FLASH TECHNOLOGY** 

[flashsales@spx.com](mailto:flashsales@spx.com) | [flashtechnology.com/airfield](http://flashtechnology.com/airfield) | 1.615.503.2000

©2021 Flash Technology. All rights reserved. Data and specifications subject to change without notification. ISO 9001:2015. DAFAC-01 Rev B