



The **AV-SSFL** is a self-contained approach light operable via AC or solar power. The light is synchronized to flash in a strobing pattern to guide the pilot down the runway centerline.

### Key Features:

- Easily Integrates into MALSR and SSEALS Configurations
- Multiple Power Options
- Integrated Battery System

Standard



AC Input



Battery Backup

Optional



Solar



IR Output



### Flexible Configurations

The Sequenced Flashing Light (SFL) can easily integrate into various approach lighting system configurations:

- The MALSR components consist of 6 Steady Burning Barrettes, 15 Stand-alone Steady Burning Lights, and 5 Sequenced Flashing Lights.
- The SSEALS consists of 7 Steady Burning Lights and 3 Sequenced Flashing Lights

### Integrated Battery System

The main chassis contains a user-replaceable battery, and can easily add on a solar system option to increase the battery life.

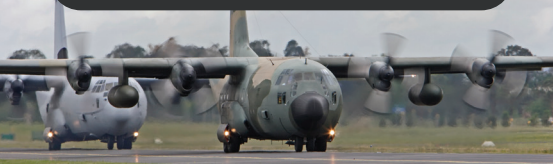
### Applications

- Portable for expeditionary, tactical, or temporary/ semi-permanent use
- IR or NVG mode option for covert operations

### Power Options

Depending upon your requirements, the SFL can be configured with the following power options:

- AC
- AC/Battery Backup
- AC/Battery Backup with Solar



# Sequenced Flashing Light

## AV-SSFL

### Light Characteristics

Light Source	LED
Available Colors	White
Intensity Adjustments	5 step intensity
Operating Time at Maximum Intensity	4 hours
LED Life Expectancy (hours)	> 100,000

### Electrical Characteristics

Circuit Protection	Integrated
Operating Input Voltage	90-264VAC 50/60 Hz
Temperature Range	-40 to 122°F / -40 to 55°C

### Solar Characteristics

Solar Module Type	Monocrystalline
Output (Watts)	100 (1 x 100W)
Charging Regulation	MPPT

### Power Supply

Battery Type	Absorbent Glass Mat (AGM)
Battery Capacity (Ah)	25
Nominal Voltage (V)	12
Charger	Integrated
Rated Power	45 W
Input Voltage	90-264VAC 50/60 Hz

### Physical Characteristics

Body Material	Painted steel and aluminum
Lens Material	Acrylic
Lens Design	Multi-LED optic
Mounting	2 through-holes with a 200mm circle
Height (inches/mm)	27.69 / 703
Length (inches/mm)	12.97 / 329
Width (inches/mm)	11.88 / 302
Mass (lb/kg)	55 / 25
Service Life	Up to 12 years

### Environmental Standards

Wind Speed	SFL: Up to 300 mph / 483 kph Solar Panels: 125 mph / 201 kph
------------	-----------------------------------------------------------------

### Compliance

Quality Assurance	ISO 9001:2015
Trademarks	AVLITE® and AV-HMALS® are a registered trademark of Avlite Systems

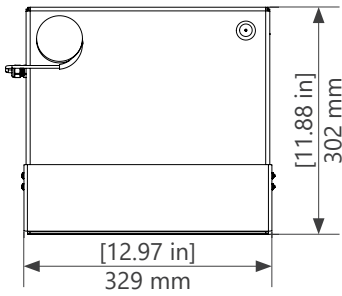
### Other

Warranty *	2 years
Available Options	Infrared Power Line Communication
Terms and Conditions	Please refer to product installation manual for further specifications. Warranty Terms and Conditions available at <a href="http://www.avlite.com">www.avlite.com</a> .

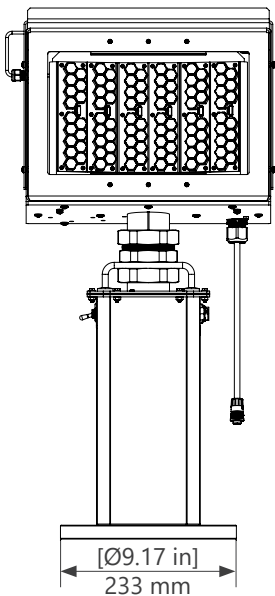


## Technical Illustrations

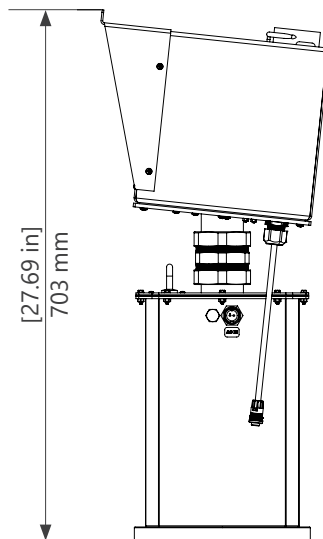
Top View



Front View



Side View



## Ordering This Product

AV-SSFL-[XX]-[XX]-[XX]



- 1 Product Number**
- 2 Configuration**
  - C10 Battery Only, No PLC, Cyclon Battery, 24 Volt Output
  - C11 Battery Only, PLC, Cyclon Battery, 24 Volt Output
  - C12 Battery Only, No PLC, Cyclon Battery, 24 Volt Output, Solar Input
  - C13 Battery Only, PLC, Cyclon Battery, 24 Volt Output, Solar Input
- 3 Color**
  - FO FAA Orange
  - YL ICAO Yellow
  - DT Desert Tan
  - NG NATO Green
- 4 Options**
  - 00 No Options
  - 02 Infrared

