










Precision Approach Path Indicator

AV-PAPI

Standard				Optional				
	Permanent Mount	AC Input	Battery Backup		Heated Lens	Tilt Switch	Solar	IR Output

The **AV-PAPI** is a highly efficient LED Precision Approach Path Indicator. It is available in a 4-Box or 2-Box configuration.

Key Features:

- LED Optics with High Energy Efficiency
- AC and DC Solar Power Operation
- Permanent and Portable Options
- Minimal Maintenance Requirement



AV-PAPI with Permanent Mount Installation



AV-PAPI with Portable Mount Installation

Patented LED Optics

Innovative optical system achieves the industry's lowest power consumption, uniform intensity, and sharpest red/white transition to convey critical approach slope information to the pilot.

Field Proven Design

Now in its 3rd generation, hundreds of PAPI systems have been deployed around the world. The PAPI is designed and manufactured for high reliability and minimal service cost.

Permanent or Portable Operations

Designed for rapid deployment in temporary airfields, or long-term service in permanent airfields.

Designed for Commercial or Military Applications

The Avlite LED PAPI is one of the only PAPIs on the market capable of supporting visual and infrared operational states within the same optic. Switchable by ground operators, the PAPI allows pilots to identify approach slope information using traditional means of red/white light or flashing infrared combinations.



Visit our website at www.avlite.com

Head Office
+61 (0)3 5977 6128

Americas
+1 (603) 737 1311



AV-PAPI

AC

DC

Light Characteristics

Light Source	LED	
Available Colors	White/Red	
Intensity Adjustments	3 or 5 step intensity	
Operating time at maximum intensity	4 hours	
LED Life Expectancy (hours)	> 100,000	

Electrical Characteristics

Circuit Protection	Integrated	
Operating Voltage	90-264VAC 50/60 Hz	24VDC
Temperature Range	-40 to 122°F / -40 to 55°C	

Solar Characteristics

Solar Module Type	Monocrystalline	
Output (Watts)	600 (2 x 300watt)	
Charging Regulation	MPPT	

Power Supply

Battery Type	Sealed Lead Acid (SLA)	
Battery Capacity (Ah)	50	
Nominal Voltage (V)	24	
Charger	Integrated in Battery Box	
Rated Power	480 W	
Input Voltage	90-264VAC 50/60 Hz	

Physical Characteristics

Body Material	Painted aluminum		
Lens Material	Optical glass		
Mounting	Permanent and portable		
Height (inches/mm)	Permanent (with mounts): Supplied 30.42 / 773	Portable: Extended 19.45 / 494	Collapsed 14.2 / 361
Width (inches/mm)	Permanent (with mounts): 17.38 / 441		Portable: 13.22 / 336
Length (inches/mm)	Permanent (with mounts): 28.59 / 726		Portable: 26.47 / 672
Weight (lb/kg)	Permanent (with mounts): 17.8 / 8.07		Portable: 25 / 11.34
Service Life	Up to 12 years		

Environmental Factors

Temperature - Operational	-31 to 131 °F / -35 to 55 °C	
Temperature - Storage	-67 to 176 °F / -55 to 80 °C	
Wind Speed	100 mph / 161 kph	

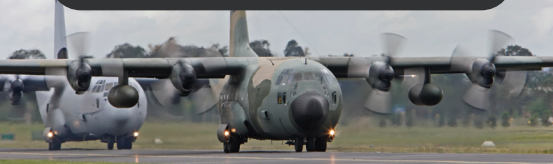
Compliance

FAA	L-880 (4 LHA) and L-881 (2 LHA) AC 150/5345-28H Certified Style A Class I	
ICAO	Annex 14 Part 1 PAPI (2 & 4 LHA) & APAPI (2 LHA) Compliant	
UFC	3-535-01 (4 LHA) Compliant	
DGAC	Pending	
CE	EN61000-6-4:2012, EN61000-6-2:2019	
Quality Assurance	ISO 9001:2015	
Trademarks	AVLITE® and AV-HMALS® are a registered trademark of Avlite Systems	
Patents	U.S. Patent No. US 9,863,601 B2	

Other

Warranty *	Avlite PAPI systems (AV-PAPI) are warranted against mechanical and physical defects in design or manufacture for a period of 12 months from date of installation or 24 months from shipment date; and are warranted against electrical defects in design or manufacture of the LED or LED specific circuitry for a period of 4 years per FAA EB67 (applicable edition).	
Available Options	Infrared Tilt Switch Heated Lens	
Terms and Conditions	Please refer to product installation manual for further specifications. Warranty Terms and Conditions available at www.avlite.com .	

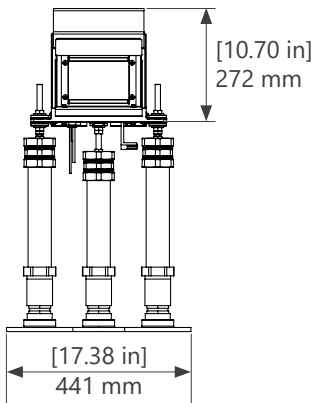




AV-PAPI with Permanent Mount



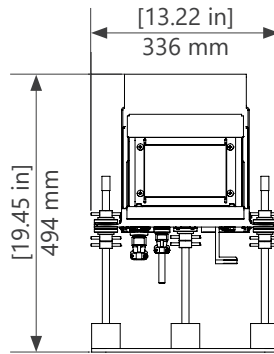
Front View



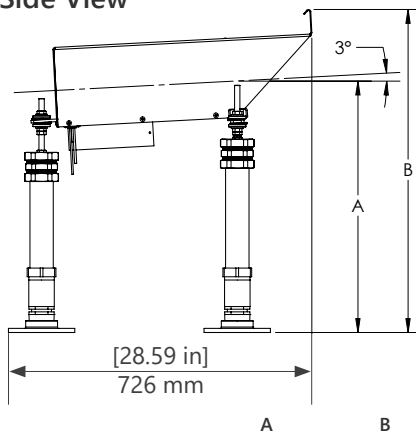
AV-PAPI with Portable Mount



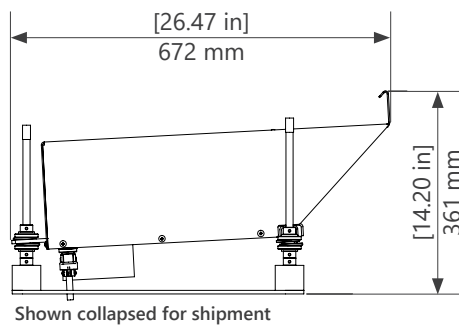
Front View



Side View



Side View



Minimum (inches/mm)	15.52 / 394	22.27 / 566
Supplied (inches/mm)	23.67 / 601	30.42 / 773
Maximum (inches/mm)	35.92 / 912	42.67 / 1083

Ordering This Product

AV-PAPI-LHA-[XX]-[XX]-[X]-[X]



- 1** Product Number
- 2** Mounting
 - P0 Permanent Installation
 - P1 Portable Installation
- 3** Input Voltage
 - UM 90-264VAC 50/60 Hz
 - 24 24 VDC
 - 66 6.6 A Constant Current
- 4** Options
 - 0 No Options
 - 1 Tilt Switch
 - 2 Heated Lens
 - 3 Heated Lens, Tilt Switch
 - 4 Infrared
 - 5 Infrared, Tilt Switch
 - 6 Infrared, Heated Lens
 - 7 Infrared, Heated Lens, Tilt Switch
- 5** Color
 - 0 FAA Orange
 - 1 ICAO Yellow
 - 2 Marine Grade FAA Orange
 - 3 Marine Grade ICAO Yellow
 - 4 Desert Sand
 - 5 NATO Green
 - 6 Marine Grade Desert Sand
 - 7 Marine Grade NATO Green