

The **AV-OL-70** is a field proven, low maintenance, self-contained solar LED light that is suitable for a variety of applications.

Key Features:

- Integrated solar/battery system
- Dual internal high-performance solar modules for optimised charging
- Automatic night activation
- IP68 rated
- User-replaceable battery

Optional



GPS



IR Remote



IR Output



Switch



Charge Port



Integrated solar/battery system

The AV-OL-70 has a cost effective integrated solar/battery system which allows true self-sufficient dusk-till-dawn operation in a small form factor. The battery is user-replaceable battery

Automatic night activation

The AV-OL-70 utilises the two in-built, high performance solar module to charge the battery during daylight hours as well as an internal photo diode that detects ambient light for automatic night activation.

Versatile application

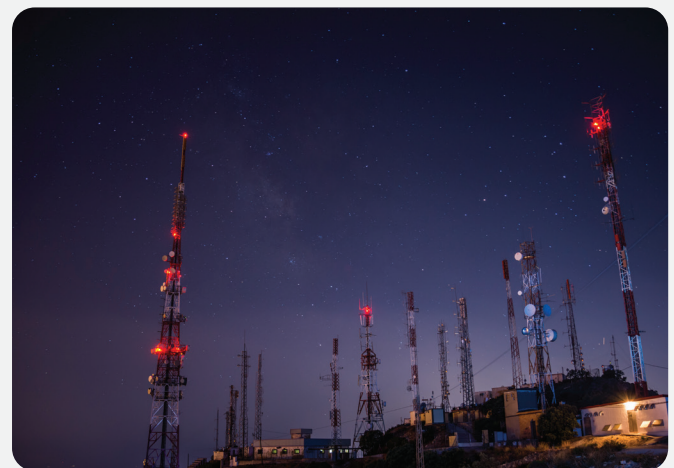
Solar fixtures are set and forget in nature, with the lack of wiring meaning the AV-OL-60 can be utilised for quick deployment and installation.

IP68 ingress rating

Excellent ingress protection is standard, with an AV-OL-70 certified to IP68.

Applications

- Solar Hazard Light
- Solar Obstruction Light
- Solar Barricade Light
- Solar Caution Light
- Temporary Obstruction Light



Light Characteristics

Light Source	LED
Horizontal Output (degrees)	360
LED Life Expectancy (hours)	> 100,000

Electrical Characteristics

Operating Voltage	3.6
Power, full intensity (W)	0.2
Temperature Range	-40 to 55°C

Solar Characteristics

Solar Module Type	Monocrystalline
Output (Watts)	2.8 (2 x 1.4watt)
Charging Regulation	Microprocessor controlled

Power Supply

Battery Type	High grade NiMH – Environmentally friendly
Battery Capacity (Ah)	8.6 (B2 17.2 Ah option available)
Operating time at maximum intensity	B1 8.6Ah - 115 Hours B2 17.2Ah - 230 Hours

Physical Characteristics

Body Material	LEXAN® Polycarbonate – UV stabilised
Lens Material	LEXAN® Polycarbonate – UV stabilised
Lens Diameter (mm/inches)	140 / 5 1/2
Lens Design	External optics with interior flute design
Mounting	6 x 17mm holes on 200mm PCD
Height (mm/inches)	240 / 9 1/2
Width (mm/inches)	231 / 9 1/8
Mass (kg/lbs)	1.4 / 3 1/8 (1.6 / 3 1/2 B2 battery)
Service Life	12 years plus

Environmental Standards

Shock	MIL-STD-202G, Test Condition G, Method 213B
Vibration	MIL-STD202G, Test Condition B, Method 204
Wind Speed	Up to 160kph / 100mph
Humidity	0 to 100%, MIL-STD-810F

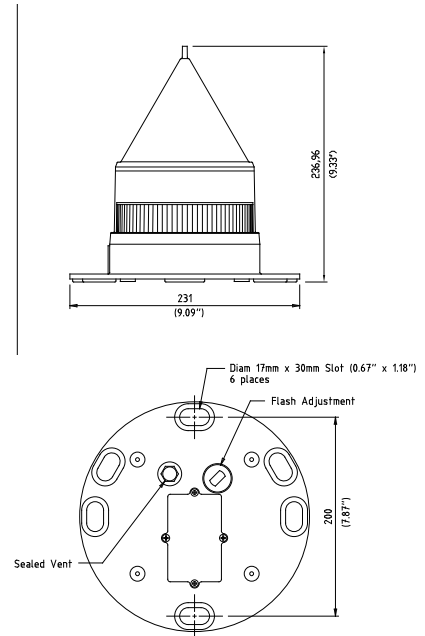
Compliance

CE	EN61000-6-4:2019 EN61000-6-2:2019
Quality Assurance	ISO9001:2015
Ingress	IP68
FAA	FAA AC150/5370-2F for construction and barricade installations
Trademarks	AVLITE® is a registered trademark of Avlite Systems
Patents	US Pat. No. 6,667,582. AU Pat. No. 778,918

Other

Warranty *	3 years
Options Available	IR LEDs External ON/OFF Switch External Battery Charging Port 17.2 Ah Battery
Terms and Conditions	Please refer to the light installation manual for further specifications. Warranty Terms and Conditions - www.avlite.com

Technical Illustrations



Ordering This Product

AV-OL-70-[XX]-[XX]-[XX]



- 1** Product Name
- 2** Battery Configuration
 - B1 8.6Ah NiMH Battery
 - B2 17.2Ah NiMH Battery
- 3** LED Configuration
 - R Red
 - IR Infrared Output
- 4** Option Configuration
 - 00 No Options
 - 01 Switch
 - 02 Charge Port
 - 03 Charge Port and Switch



Want to monitor, maintain, manage and control your assets? [Click here](#)