

AV-70 | Solar Taxiway and VFR Runway Light

The solar-powered AV-70 is designed to require minimal ongoing maintenance. The self-contained unit has two high-performance solar modules to maximize solar collection and provide reliable operation in a range of environmental conditions.

Key Features

- FAA certified to L863B for portable runway and taxiway lights
- Third-party tested for FAA (L861T, Barricade AC 150/5370-2F)
- Buy American Listed
- Updated Switch and External Interface Port (EIP) for external charging and programming
- RF Control using AvMesh® RF Network

Easy Installation

Enhance personnel efficiency, eliminate costly trenching, and ensure continuous airfield operations. The AV-70 is your solution for dusk-to-dawn illumination with sustained battery performance.

Low Maintenance

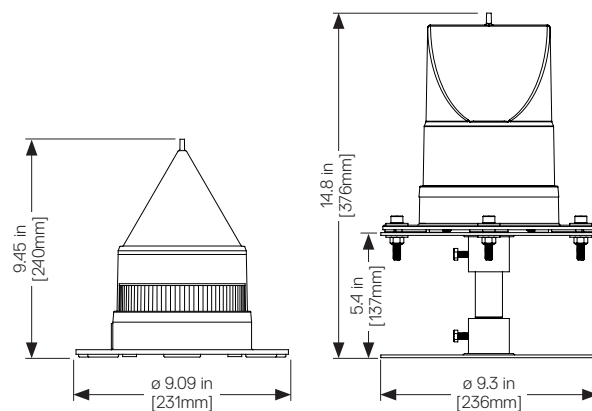
The AV-70 integrates the latest solar technology including active maximum power point tracking (MPPT) and enhanced LED optics into a compact, self-contained unit requiring minimal maintenance for up to 7 years.

Reliable

The rugged design can withstand the harshest environment. Rigorous testing compliant with FAA, ICAO, and MIL standards ensures long-lasting performance.

Trusted

Avlite is an industry leader in solar aviation lighting with thousands of installations worldwide tailored for defense, government, civil, and humanitarian aid operations.



AV-70
Side View

AV-70 With Optional
Frangible Mount

Specifications

	B1	B2
Light Characteristics	Light Source	LED
	Available Colors	Blue, White, Yellow, Red, Green, Bi-directional Combinations, IR
	Horizontal Output (degrees)	360
	Intensity Adjustments	3 Step or 5 Step (Dependent on Variant)
	LED Life Expectancy (hours)	>100,000
Electrical Characteristics	Circuit Protection	Integrated
	Temperature Range	-40 to 131°F / -40 to 55°C
	Transport and Storage Temperature Range	-40 to 131°F / -40 to 55°C
Solar Characteristics	Solar Module Type	Monocrystalline
	Output (Watts)	2.8 (2 x 1.4)
	Solar Module Efficiency (%)	21
	Charging Regulation	Maximum Power Point Tracking (MPPT)
Power Supply	Battery Type	High grade Nickel Metal Hydride (NiMH)
	Battery Capacity (Ah)	8.6 17.2
	Nominal Voltage (V)	3.6
	Programming/Charger	Internal (DC)
	Charge Port Rated Power (W)	5
	Input Voltage (V)	3.6
Radio Controlled	Frequency	2.4GHz ISM Band
	Range	Up to 0.87mi (1.4km) relayed
	Expandability	AvMesh®
	Compliance	FCC / CE / Anatel
Physical Characteristics	Body Material	UV-stabilized LEXAN® Polycarbonate
	Body Color Options	Aviation Yellow (Optional Desert Tan and Olive Drab)
	Lens Material	UV-stabilized LEXAN® Polycarbonate
	Lens Design	Single and Multi-LED Optic
	Mounting	6 x 17mm holes on 200mm PCD
	Height (inches/mm)	9.45 / 240
	Width (inches/mm)	9.09 / 231
	Mass (lbs/kg)	3.125 / 1.4 7.5 / 1.6
Environmental Standards	Shock	MIL-STD-202G, Test Condition G, Method 213B
	Vibration	MIL-STD202G, Test Condition B, Method 204
	Wind Speed	Up to 100mph (160kph)
	Humidity	0 to 100%, MIL-STD-810F
	Ingress	IP68
Certifications/ Compliance	AFAC	FAA AC150/5345-46E, L-861T
	EMC	EN61000-6-4:2012, EN61000-6-2:2019
	FAA	AC150/5345-46E, AC150/5345-50B, L-861T, L-863B LED Color Standard (Engineering Brief No. 67D)
	ICAO	ICAO Annex 14, Vol 1, July 2018
	Quality Assurance	ISO 9001:2015
Other	Trademarks	AVLITE® is a registered trademark of Avlite Systems, a family brand of SPX Aids to Navigation (a division of SPX Technologies)
	Warranty*	3 Years

* Visit avlite.com to refer to Warranty Statement

Configuration

Model	AV-70
Certifications	ICAO
	FAA 861T
	FAA 863B
LED Configuration	GA
	Omni-directional Blue (Taxiway)
	Omni-directional White
	Omni-directional Yellow
	Omni-directional Green
Battery Size	Bi-directional Red/Green
	Bi-directional White/Yellow
	8.6Ah SLA Battery
Standard Features	17.2Ah SLA Battery
	Yellow Body
Options	IR for NVG Applications
	Switch
	External Interface Port (EIP)
	RF, EIP
	Desert Tan Body
	Olive Drab Body

